

Slow and fast rotating models
For use with a variety of fluids
Pressure and vacuum models



Technical features

Medium:

Compressed air or oil but not water (slow rotating models)
 Compressed air (fast rotating models)
 Consult our Technical Service for use with any medium other than compressed air

Operating pressure:

See below
Port sizes:
 1/8", 1/4" and 3/8"
Maximum speed:
 50 r.p.m (slow rotating models)
 2000 r.p.m (fast rotating models)
Note:
 Should not be subjected to side or end loads.
 Vacuum mode is identified by 'v' marked on body.


Fluid/Ambient temperature:

-10°C ... +70°C max.
 Air supply must be dry enough to avoid ice formation at temperatures below +2°C

Materials

Slow rotating models:
 Body: brass
 Spindle: steel zing plated
 Seals: FPM
 Fast rotating models:
 Body: brass
 Spindle: stainless steel
 Clip: steel phoshated
 Seals: NBR

Technical data

Symbol	Male thread ISO R, taper	Female thread ISO G, parallel	Suitable for	Max. speed r.p.m.	Pressure range (bar)	Weight (kg)	Model
	R1/8	G1/8	Pressure	50	0 ... 7	0,035	04017400
	R1/4	G1/4	Pressure	50	0 ... 7	0,100	04017500
	R3/8	G3/8	Pressure	50	0 ... 7	0,170	04017600
	R1/4	G1/4	Pressure	2000	0 ... 7	0,210	04016100
	R1/4	G1/4	Vacuum	2000	- 740 mm Hg-0	0,210	04016200

Options selector

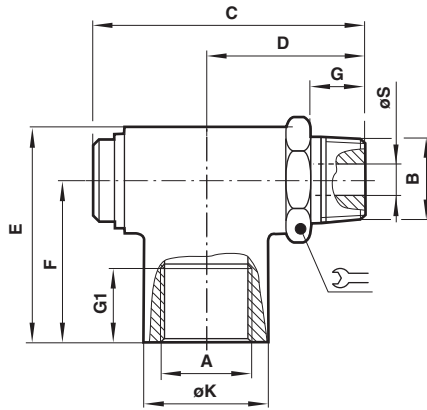
0401★★00

Thread	Substitute
Slow rotation	7
Fast rotation	6

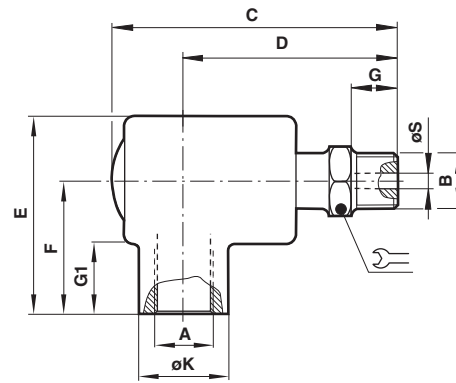
Port size (slow rotation)	Substitute
1/8"	4
1/4"	5
3/8"	6
Port size (fast rotation)	Substitute
1/4" (Pressure)	1
1/4" (Vacuum)	2


Dimensions

Slow rotating models



Fast rotating models



A	B	C	D	E	F	G	G1	Ø K	Ø S		Model
G1/8	R1/8	37,0	25,5	24,0	17,5	9,0	9,0	12,7	2,8	13	04 0174 00
G1/4	R1/4	46,0	33,0	29,5	22,5	11,0	13,5	17,5	5,5	17	04 0175 00
G3/8	R3/8	56,5	42,5	38,5	29,5	12,5	15,5	24,0	9,5	22	04 0176 00
G1/4	R1/4	69,5	41,5	50,5	27,0	11,0	14,0	21,0	6,5	15	04 0161 00
G1/4	R1/4	69,5	41,5	50,5	27,0	11,0	14,0	21,0	6,5	15	04 0162 00

Warning

These products are intended for use in industrial compressed air systems only. Do not use these products where pressures and temperatures can exceed those listed under »**Technical features**«.

Before using these products with fluids other than those specified, for non-industrial applications, life-support systems, or other applications not within published specifications, consult NORGREN.

Through misuse, age, or malfunction, components used in fluid power systems can fail in various modes.

The system designer is warned to consider the failure modes of all component parts used in pneumatic systems and to provide adequate safeguards to prevent personal injury or damage to equipment in the event of such failure.

System designers must provide a warning to end users in the system instructional manual if protection against a failure mode cannot be adequately provided.

System designers and end users are cautioned to review specific warnings found in instruction sheets packed and shipped with these products.