

Slow and fast rotating models
For use with a variety of fluids
Pressure and vacuum models

**Technical data**

Medium:

Compressed air or oil but not water (slow rotating models)

Compressed air (fast rotating models)

(consult our Technical Service for use with any medium other than compressed air)

Size:

	50 U/min	2000 U/min
1/8 BSP	04 0174 00	
1/4 BSP	04 0175 00	04 0161 00
1/4 BSP		04 0162 00 (for vacuum)
3/8 BSP	04 0176 00	

Operating pressure:

Vacuum (-740 mm Hg) – 7 bar, according to model

See details on page 2

Operating temperature:

-10 to 70°C

(consult our Technical Service for use below +2°C)

Max. speed:

50 U/min (slow rotating models)

2000 U/min (fast rotating models)

Materials:

Slow rotating models: brass to BS2872: 1969 (CZ122)

Body: plated mild steel to BS970 part 1: 1972 (220 MO7 (EN1A)

Spindle seals: Viton, nitrile rubber

Fast rotating models: brass to BS2872: 1969 (CZ122)

Body: stainless steel to BS970 part 4: 1970 (416 SZ1 (EN56AM)

Spindle seals: nitrile rubber

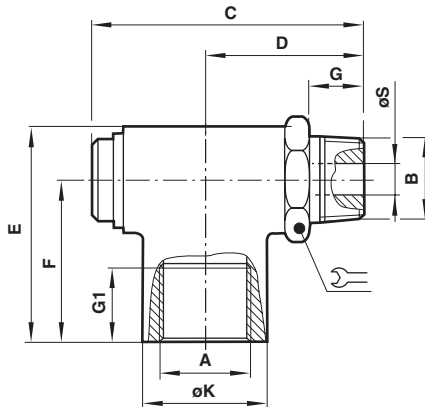
Ordering information

See page 2

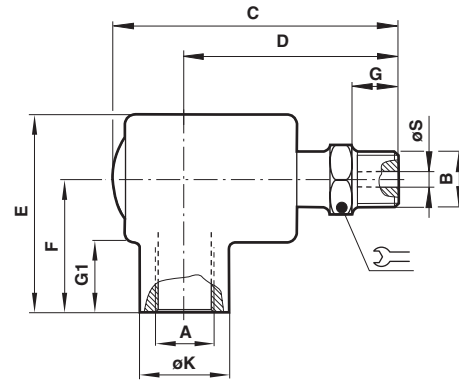
General information

Model	Max. speed r.p.m.	Suitable for	Pressure range	Male thread BSPT	Female thread BSPP	Weight kg
04 0174 00	50	Pressure	0 to 7 bar	R1/8	G1/8	0,035
04 0175 00	50	Pressure	0 to 7 bar	R1/4	G1/4	0,090
04 0176 00	50	Pressure	0 to 7 bar	R3/8	G3/8	0,070
04 0161 00	2000	Pressure	0 to 7 bar	R1/4	G1/4	0,210
04 0162 00	2000	Vacuum	- 740 mm Hg-0	R1/4	G1/4	0,210

Slow rotating models



Fast rotating models



Type	A	B	C	D	E	F	G	G1	Ø K	Ø S	
04 0174 00	G1/8	R1/8	37,0	25,5	24,0	17,5	9,0	9,0	12,7	2,8	13
04 0175 00	G1/4	R1/4	46,0	33,0	29,5	22,5	11,0	13,5	17,5	5,5	17
04 0176 00	G3/8	R3/8	56,5	42,5	38,5	29,5	12,5	15,5	24,0	9,5	22
04 0161 00	G1/4	R1/4	69,5	41,5	50,5	27,0	11,0	14,0	21,0	6,5	15
04 0162 00	G1/4	R1/4	69,5	41,5	50,5	27,0	11,0	14,0	21,0	6,5	15

Note: Should not be subjected to side or end loads.
Vacuum mode is identified by 'v' marked on body.

Warning

These products are intended for use in industrial compressed air systems only. Do not use these products where pressures and temperatures can exceed those listed under 'Technical Data'.

Before using these products with fluids other than those specified, for non-industrial applications, life-support systems, or other applications not within published specifications, consult NORGREN.

Through misuse, age, or malfunction, components used in fluid power systems can fail in various modes.

The system designer is warned to consider the failure modes of all component parts used in fluid power systems and to provide adequate safeguards to prevent personal injury or damage to equipment in the event of such failure.

System designers must provide a warning to end users in the system instructional manual if protection against a failure mode cannot be adequately provided.

System designers and end users are cautioned to review specific warnings found in instruction sheets packed and shipped with these products.